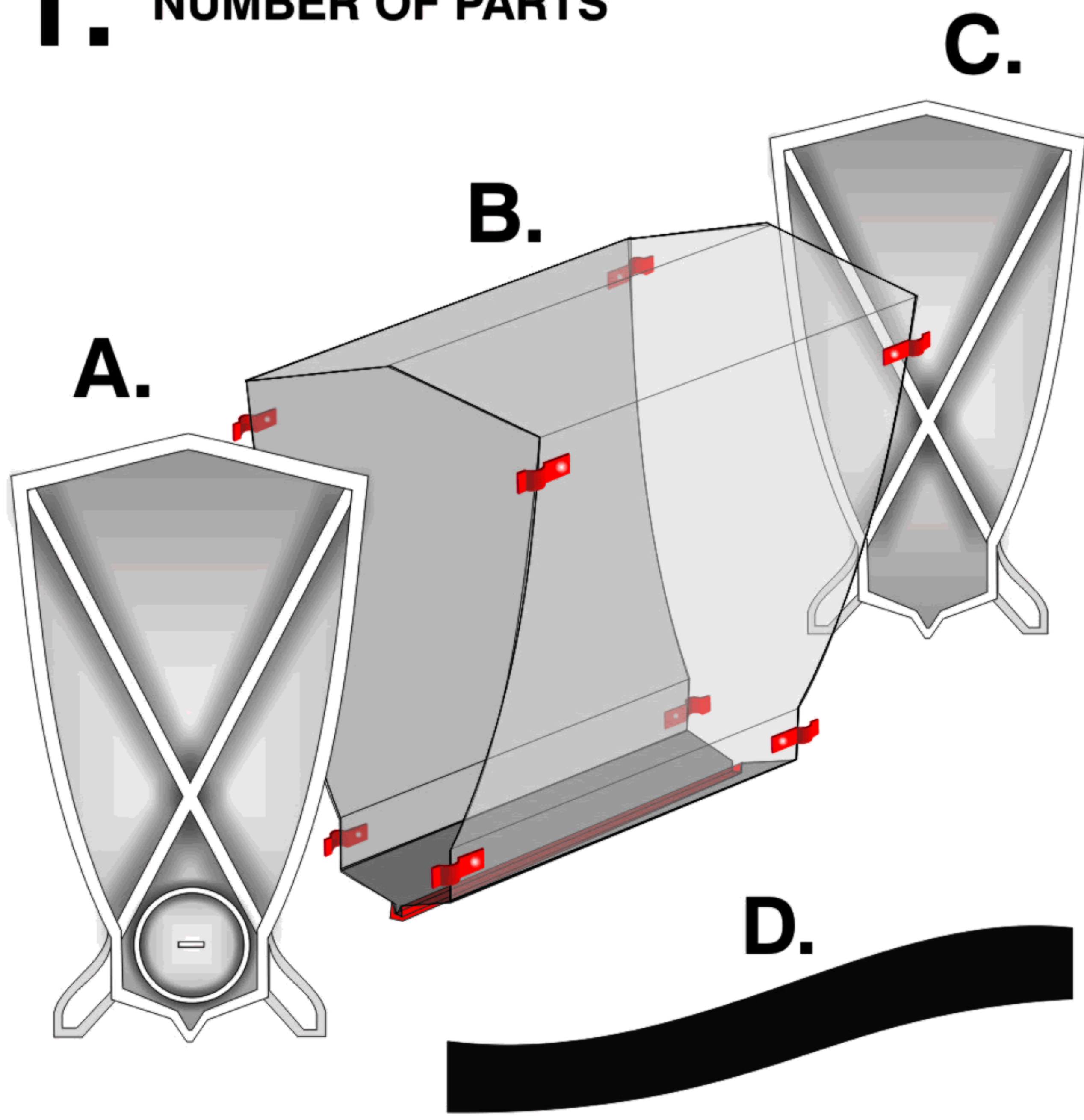


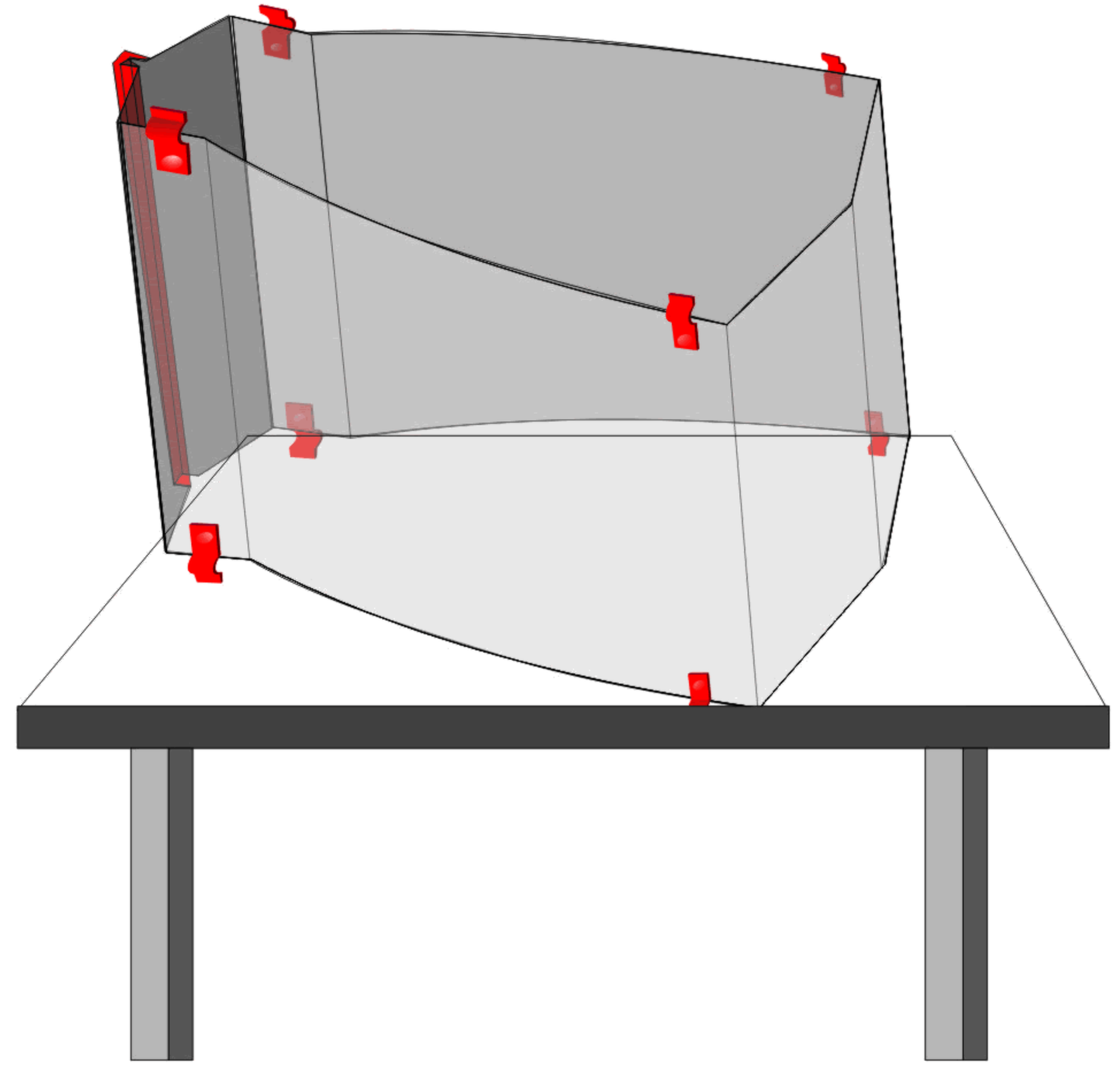
HOW TO ASSEMBLE UNIT

1. NUMBER OF PARTS

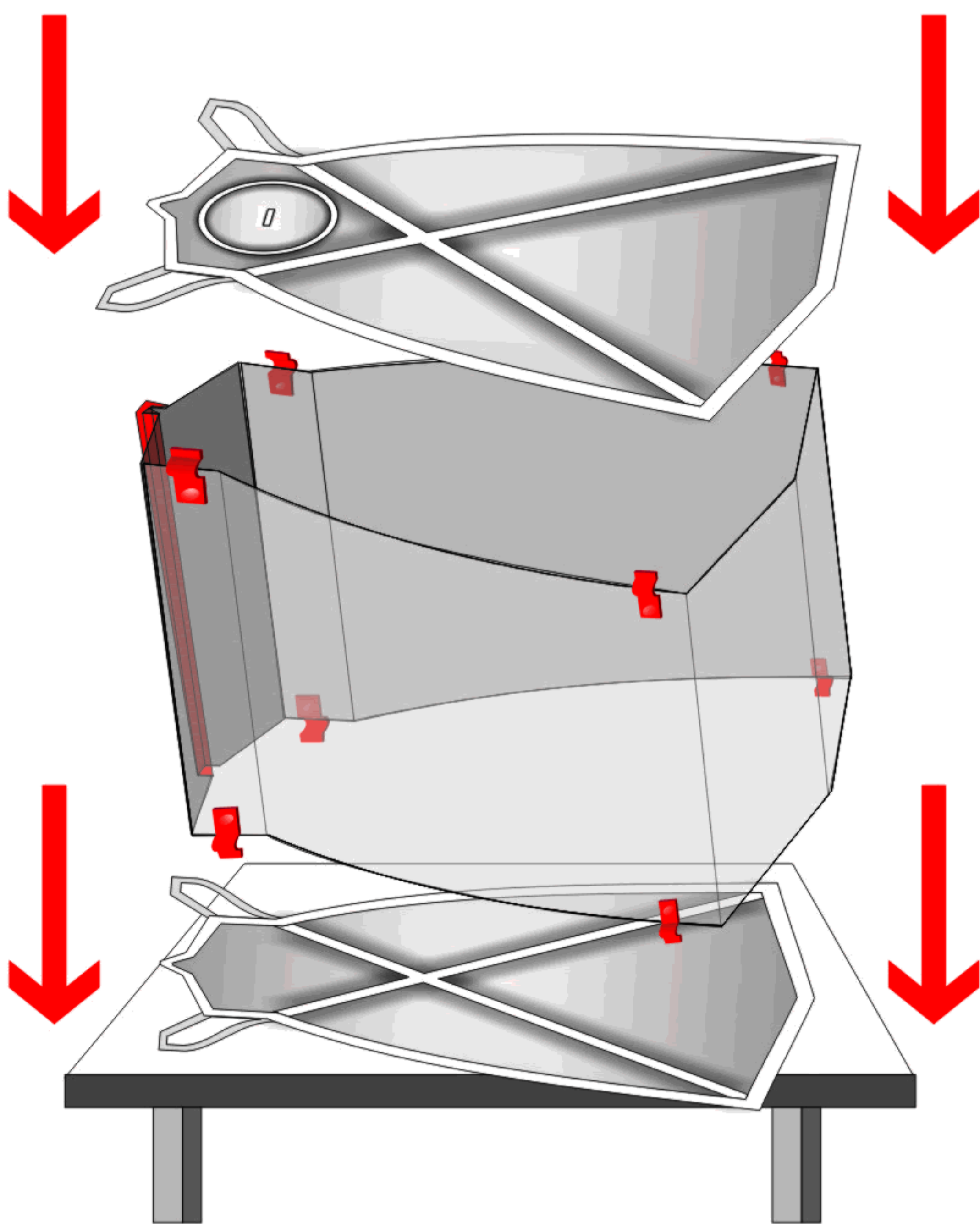


- A. - FRONT PANEL
- B. - UNIT CHAMBER
- C. - REAR PANEL
- D. - BASE CLOTH

2. LAY UNIT CHAMBER ON FLAT SURFACE



3. FIX FRONT PANEL FIRST FIX REAR PANEL SECOND



4. UNIT READY TO USE

